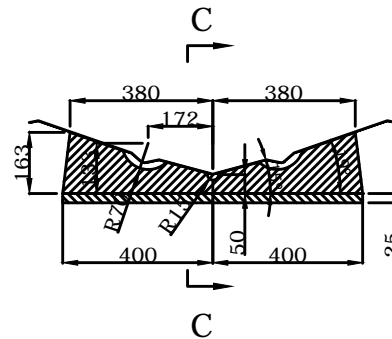
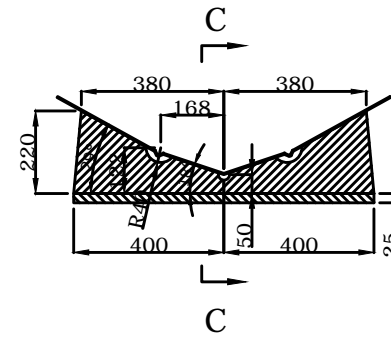


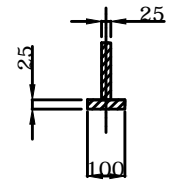
LONGITUDINAL PROFILE




TRANSVERSAL SECTION "A"



TRANSVERSAL SECTION "B"



TRANSVERSAL SECTION "C"

| | | | |
|---|-------------------|--------|------------------|
|  | UL340 | | DWN: HCY |
| | CHOCK ARRANGEMENT | | APPROVED: LXL |
| info@highfieldboats.com | DWG: | SCALE: | DATE: 2016.09.01 |

(C) Copyright reserved. No unauthorized use allowed.
All intellect - ideas - concepts remain the property of Highfield Boats