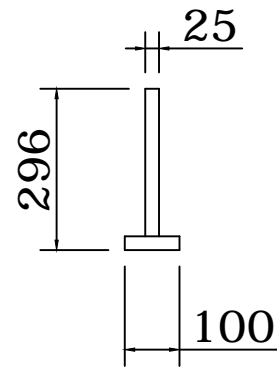
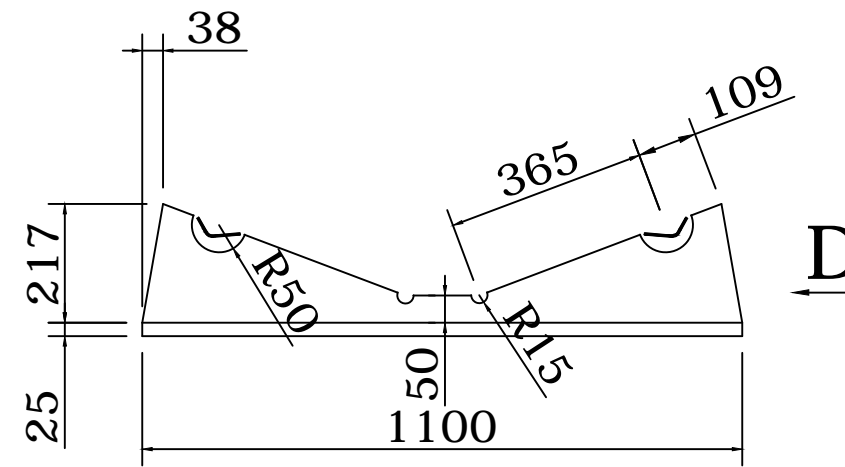


B-B

↑ C

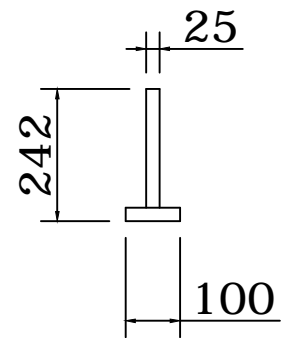


"C" view



A-A

↑ D



"D" view

	DL 420 Chock Arrangement		DWN: WL
			APPROVED: LXL
info@highfieldboats.com	DWG:	SCALE:	DATE: 2018.09.07

(C) Copyright reserved. No unauthorized use allowed.  
All intellect - ideas - concepts remain the property of Highfield Boats