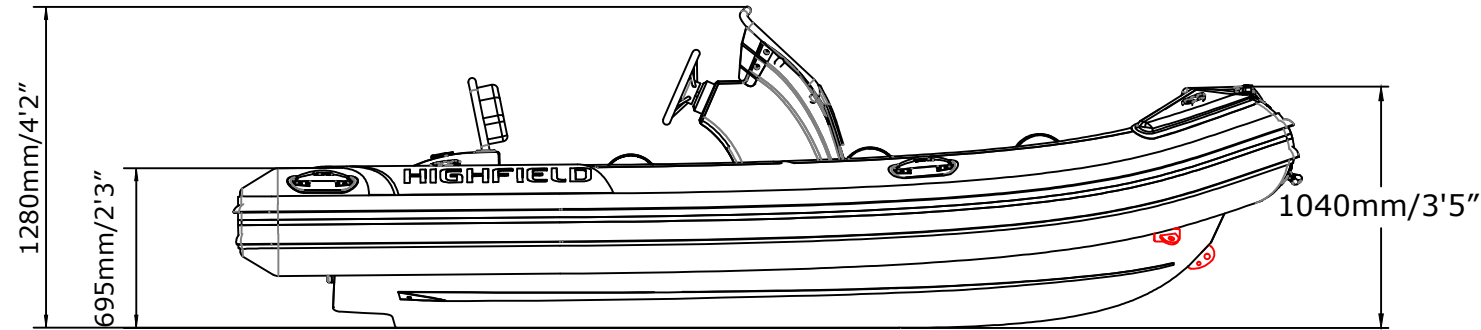
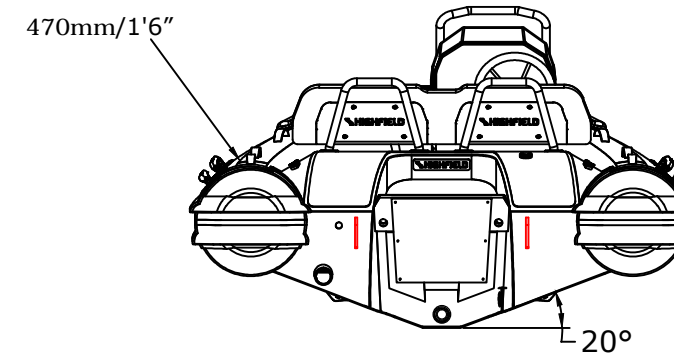


# DELUXE 420

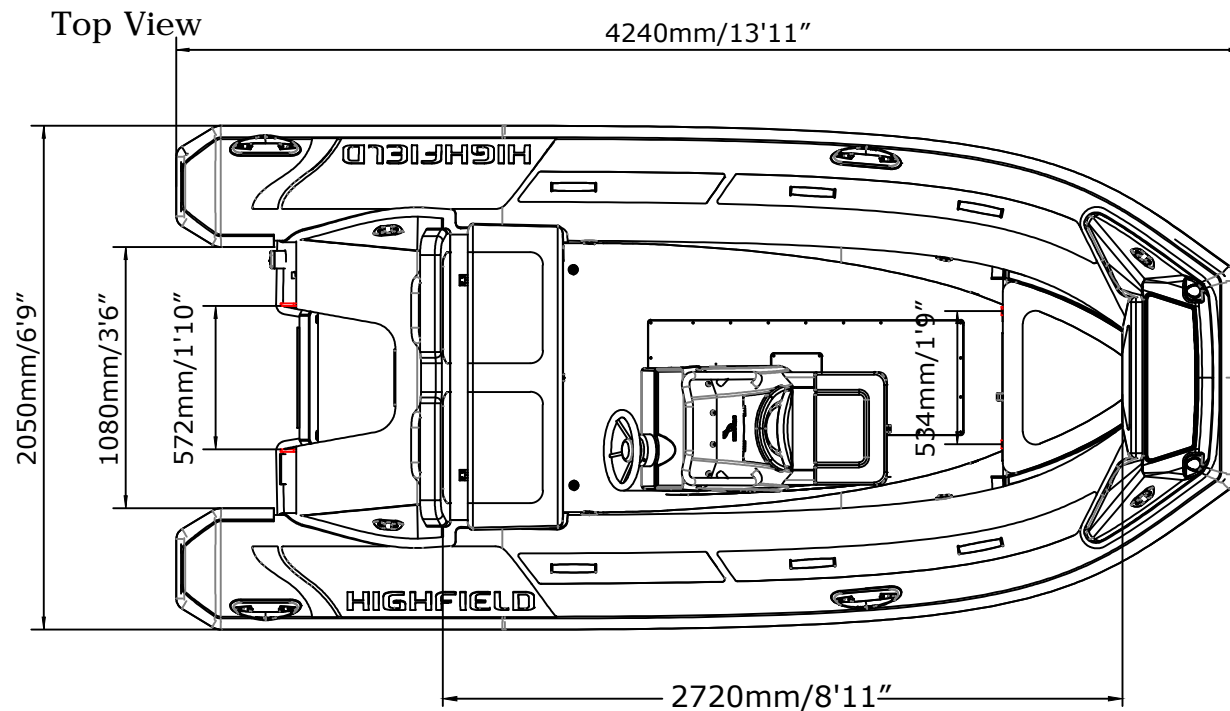
# SPECIFICATIONS



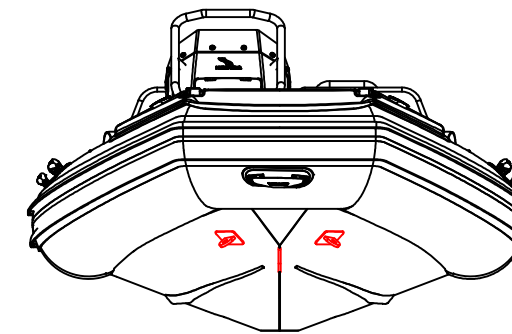
Side View



Rear View



Top View



Front View

SPECIFICATIONS AND MAXIMUM CAPACITIES (Subject to change without notice. Tolerances: Dimensions +/-3% Weight +/-5%)

MODEL	ISO 6185 PART	ISO 6185																	Wet Weight (Approximate) 60HP (45KW) +Fuel	AIR CHAMBERS				
			KG	LB	#	KG	LB	Length	KG	LB	Maximum		Recommended			Maximum Speed	KG	LB			KG	LB	PSI	BAR
DL420	3	C	791	1744	8	600	1323	L	161.7	356	44.76	60	29.84	40	/	/	/	312	688	502.7	1108.3	4	3.63	0.25

Weight includes: console