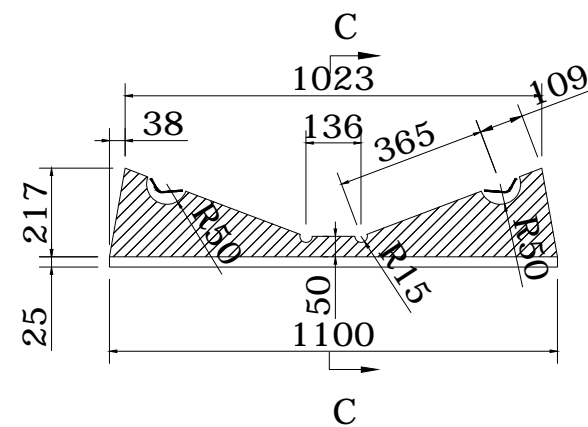
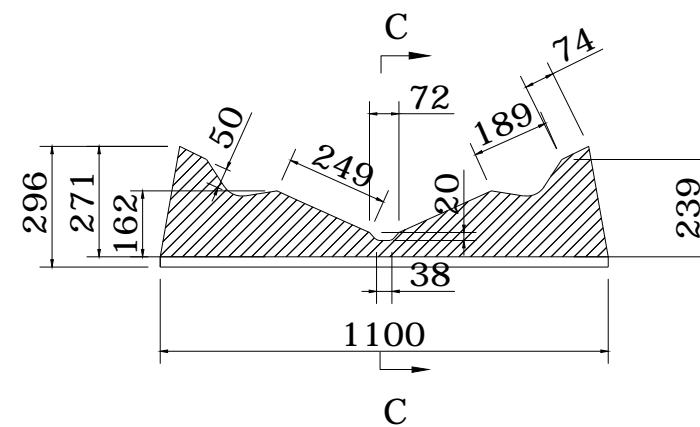


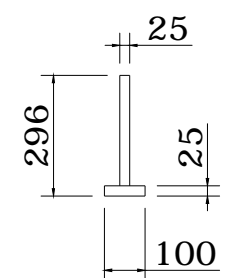
LONGITUDINAL PROFILE



TRANSVERSAL SECTION "A"



TRANSVERSAL SECTION "B"



TRANSVERSAL SECTION "C"



PA 420 CHOCK

DWN: SJW

APPROVED: LXL

info@highfieldboats.com

DWG:

SCALE:

DATE: 2020.08.27

(C) Copyright reserved. No unauthorized use allowed.  
All intellect - ideas - concepts remain the property of Highfield Boats