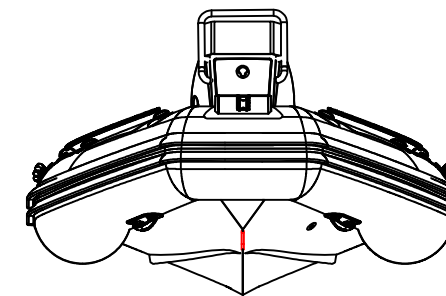
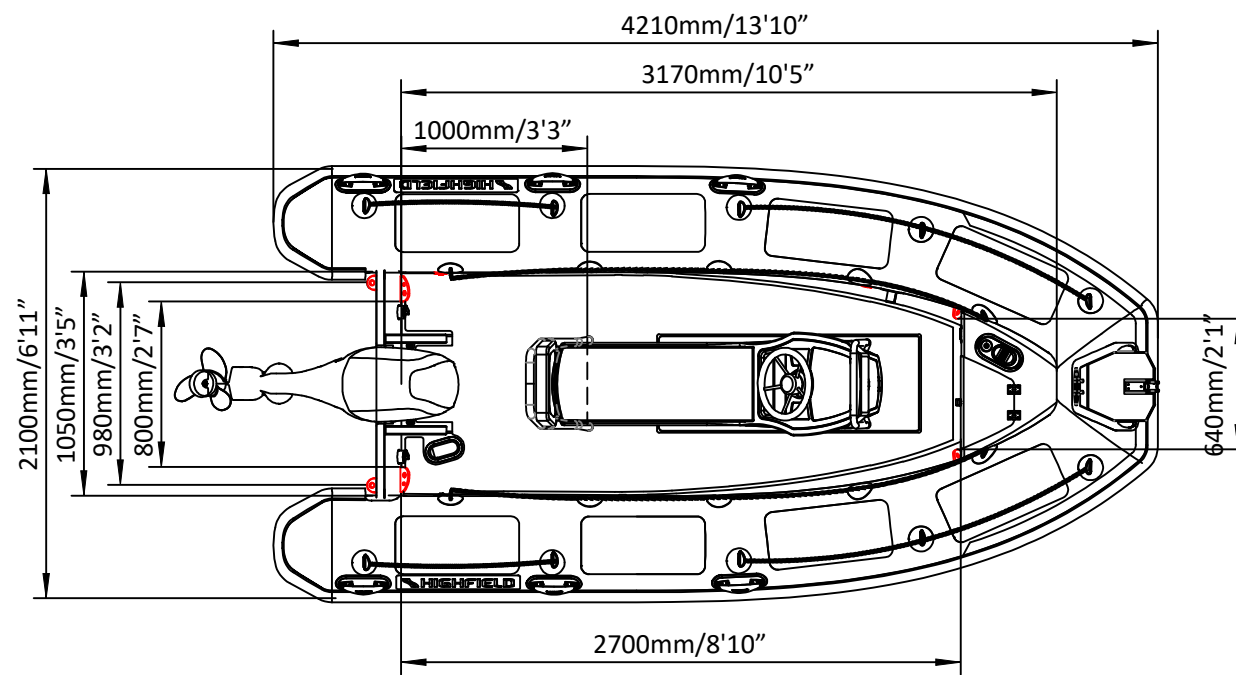
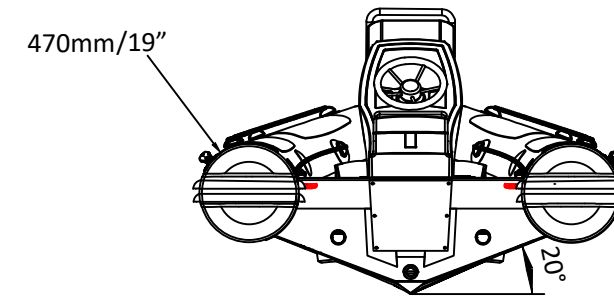
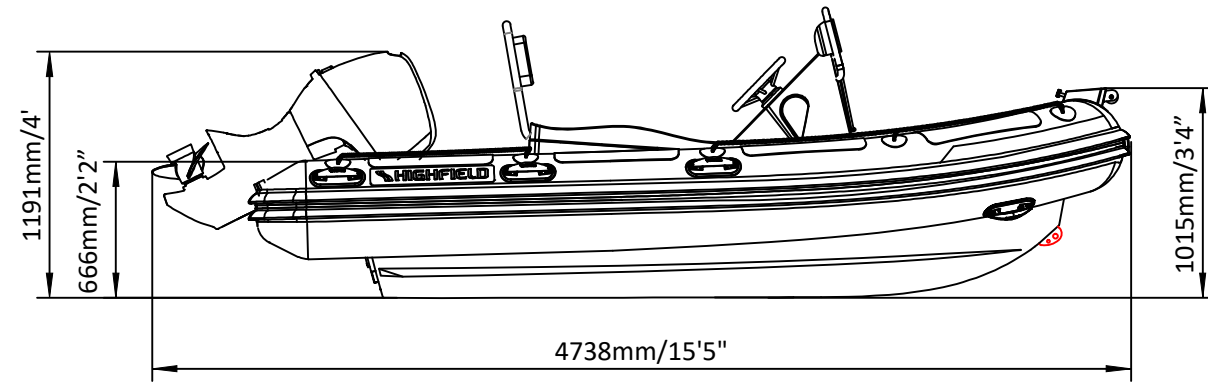


# PATROL 420BS

# SPECIFICATIONS



SPECIFICATIONS AND MAXIMUM CAPACITIES (Subject to change without notice. Tolerances: dimensions ±2.5%, weights ±5%)

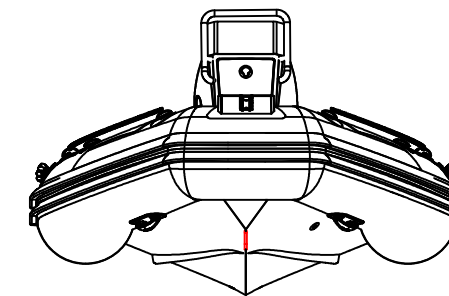
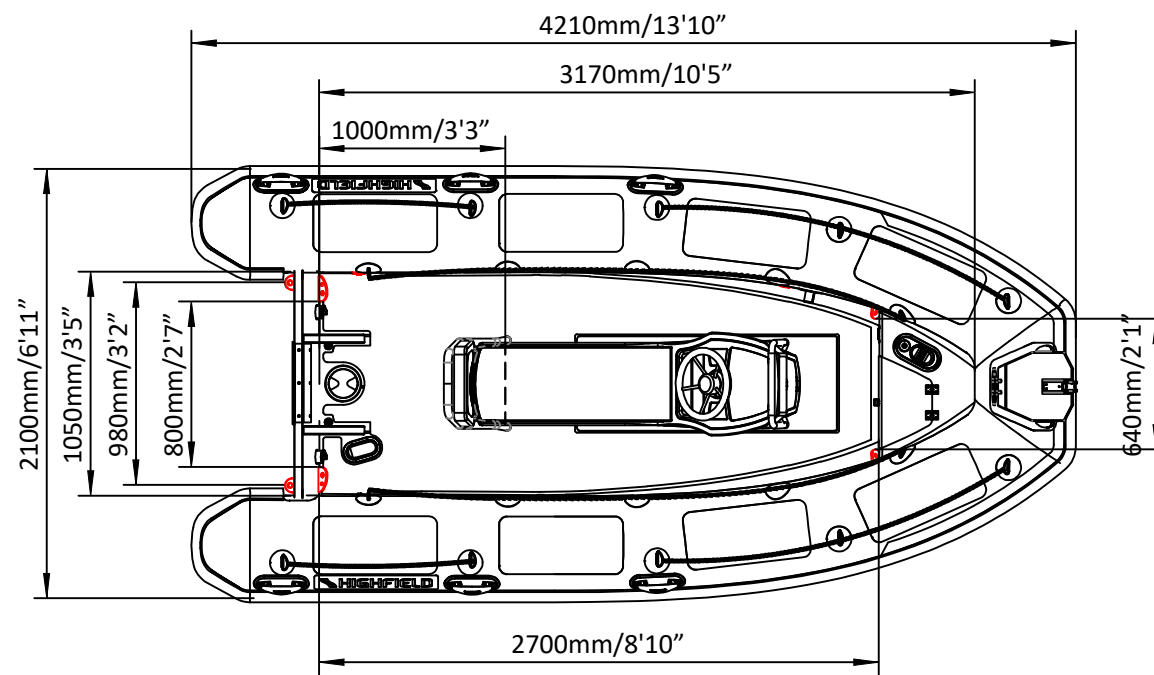
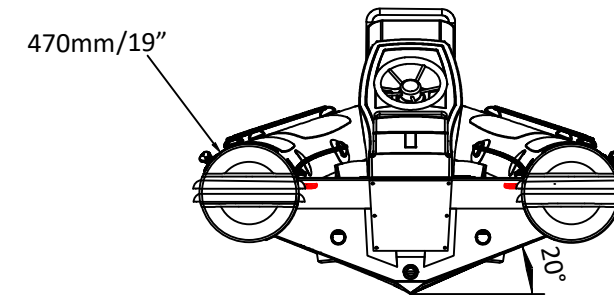
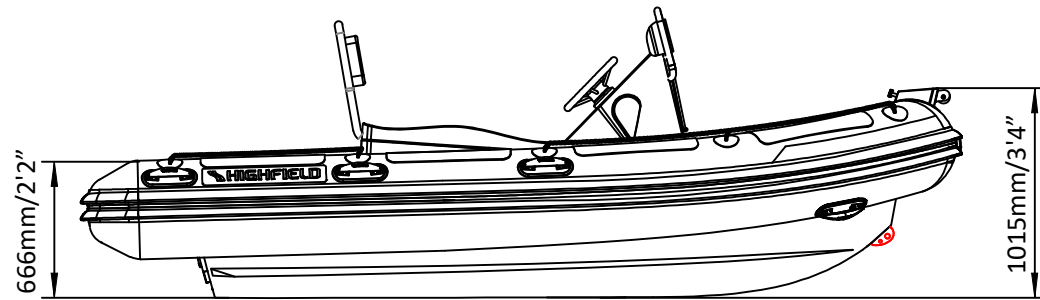
MODEL	ISO 6185 PART	ISO 6185	Crew		#	Weight		Shaft	Outboard Engine		Sundeck		Tow post		Rollbar		Fuel tank Capacity		Wet Weight (Approximate) 60HP (44.76KW) +Fuel		AIR CHAMBERS	Pressure					
			KG	LB		KG	LB		KG	LB	KG	LB	KG	LB	KG	LB	KG	LB	KG	LB		PSI	BAR				
			KG	LB		KW	HP		KG	LB	KG	LB	KG	LB	L	GAL	KG	LB	KG	LB		PSI	BAR				
PA420BS	3	C	823	1814	8	600	1323	L	44.76	60	161.7	356	252	556	/	/	19	41.88	11	25	40	10.6	397.7	876.7	4	3.63	0.25

Boat weight includes: console

2021V4

# PATROL 420BS

# SPECIFICATIONS



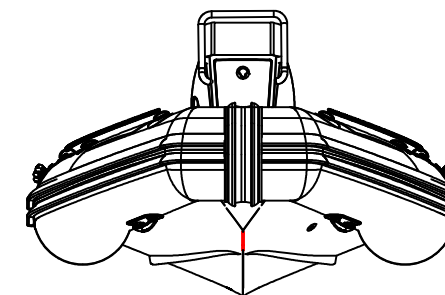
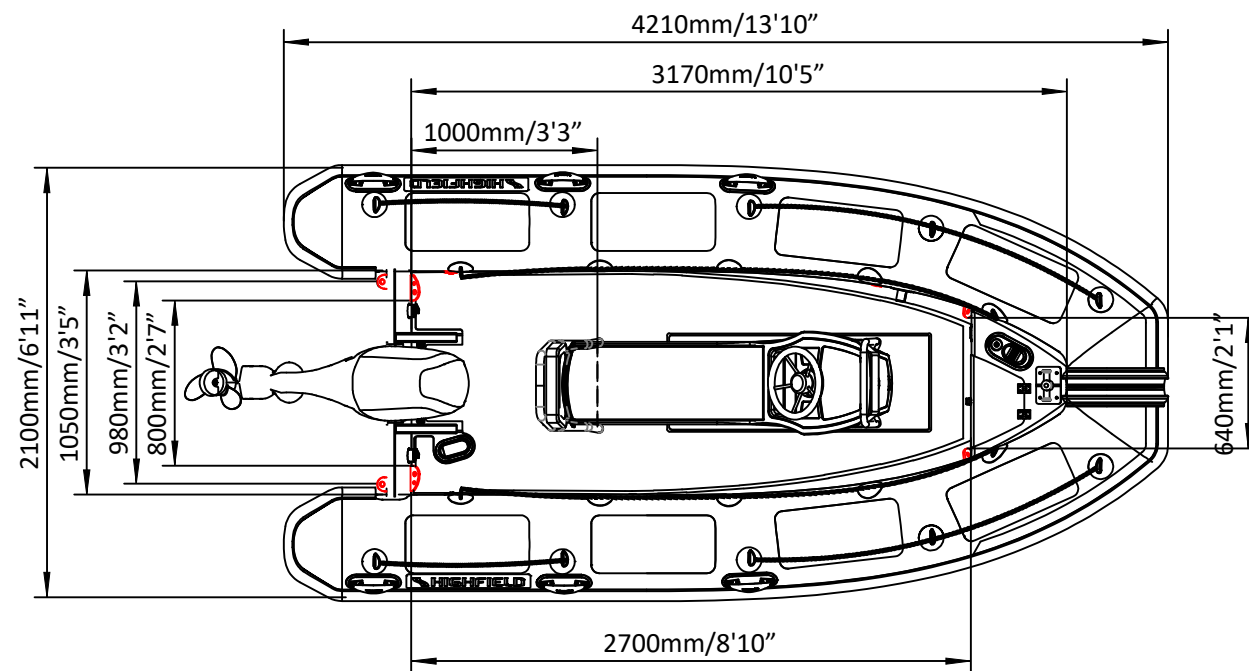
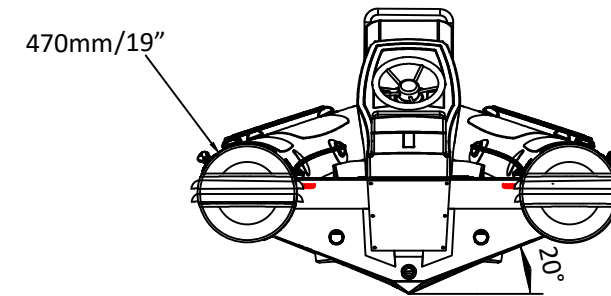
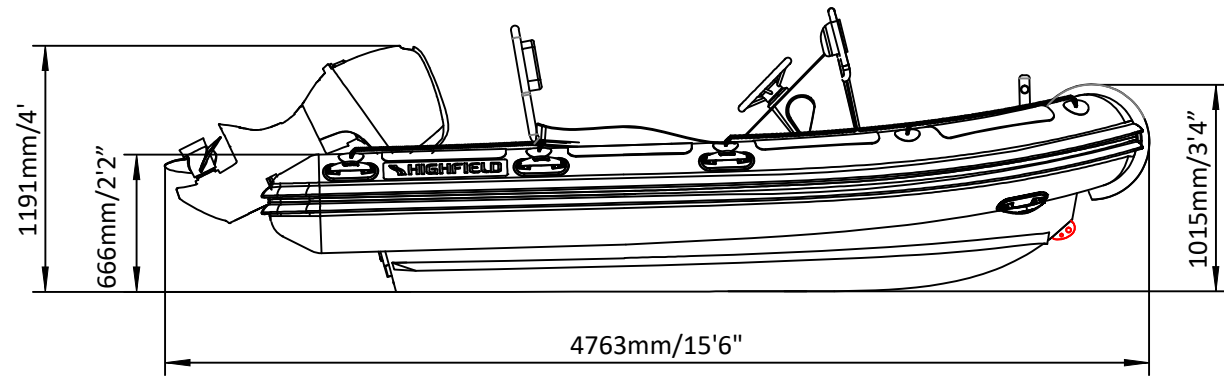
SPECIFICATIONS AND MAXIMUM CAPACITIES (Subject to change without notice. Tolerances: dimensions ±2.5%, weights ±5%)

MODEL	ISO 6185 PART	ISO 6185	Crew		#	Weight		Shaft	Outboard Engine		Sundeck		Tow post		Rollbar		Fuel tank Capacity		Wet Weight (Approximate) 60HP (44.76KW) +Fuel		AIR CHAMBERS	Pressure					
			KG	LB		KG	LB		KG	LB	KG	LB	KG	LB	L	GAL	KG	LB	PSI	BAR							
PA420BS	3	C	823	1814	8	600	1323	L	44.76	60	161.7	356	252	556	/	/	19	41.88	11	25	40	10.6	397.7	876.7	4	3.63	0.25

Boat weight includes: console

# PATROL 420NBS

# SPECIFICATIONS



SPECIFICATIONS AND MAXIMUM CAPACITIES (Subject to change without notice. Tolerances: dimensions ±2.5%, weights ±5%)

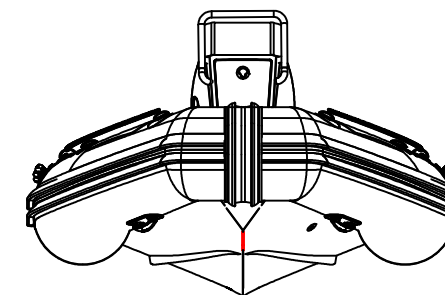
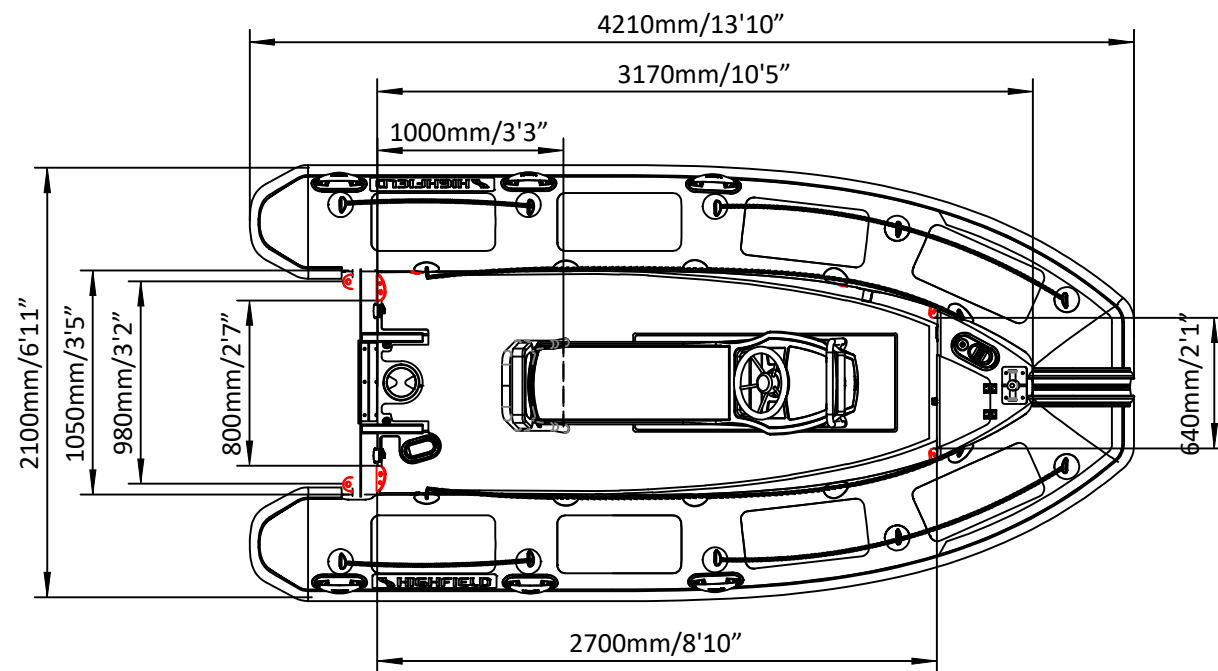
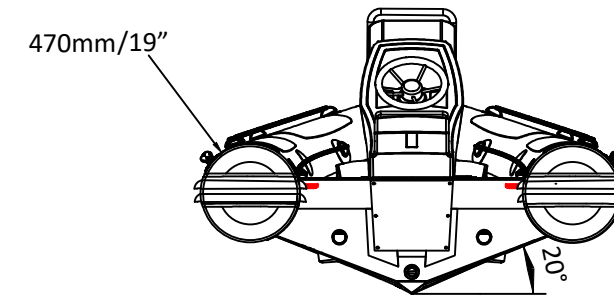
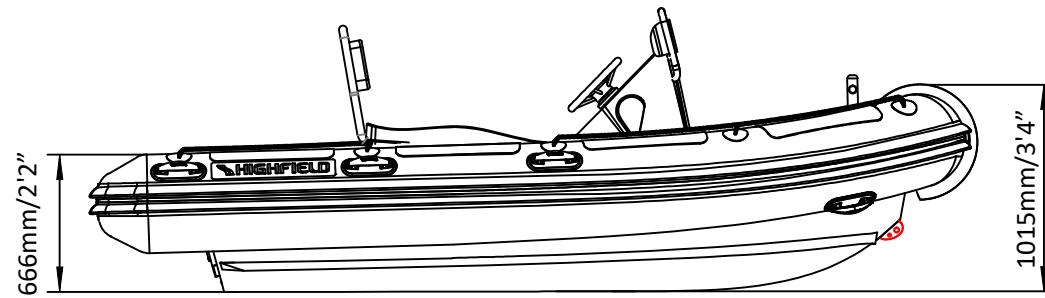
MODEL	ISO 6185 PART	ISO 6185	Passengers		#	Weight		Shaft	Outboard Engine		Sundeck		Tow post		Rollbar		Fuel tank Capacity		Wet Weight (Approximate) 60HP (44.76KW) +Fuel		AIR CHAMBERS	Pressure					
			KG	LB		KG	LB		KG	LB	KG	LB	KG	LB	L	GAL	KG	LB	PSI	BAR							
PA420NBS	3	C	823	1814	8	600	1323	L	44.76	60	161.7	356	252	556	/	/	19	41.88	11	25	40	10.6	397.7	876.7	4	3.63	0.25

Boat weight includes: console

2021V4

# PATROL 420NBS

# SPECIFICATIONS



SPECIFICATIONS AND MAXIMUM CAPACITIES (Subject to change without notice. Tolerances: dimensions ±2.5%, weights ±5%)

MODEL	ISO 6185 PART	ISO 6185	Passengers		#	Weight		Shaft	Outboard Engine		Sundeck		Tow post		Rollbar		Fuel tank Capacity		Wet Weight (Approximate) 60HP (44.76KW) +Fuel		AIR CHAMBERS	Pressure					
			KG	LB		KG	LB		KG	LB	KG	LB	KG	LB	L	GAL	KG	LB	PSI	BAR							
PA420NBS	3	C	823	1814	8	600	1323	L	44.76	60	161.7	356	252	556	/	/	19	41.88	11	25	40	10.6	397.7	876.7	4	3.63	0.25

Boat weight includes: console